



**COMBINED
PROTECTION AGAINST
BURGLARY AND FIRE**



OMNI

BURGLARY & FIRE-RESISTANT SAFE

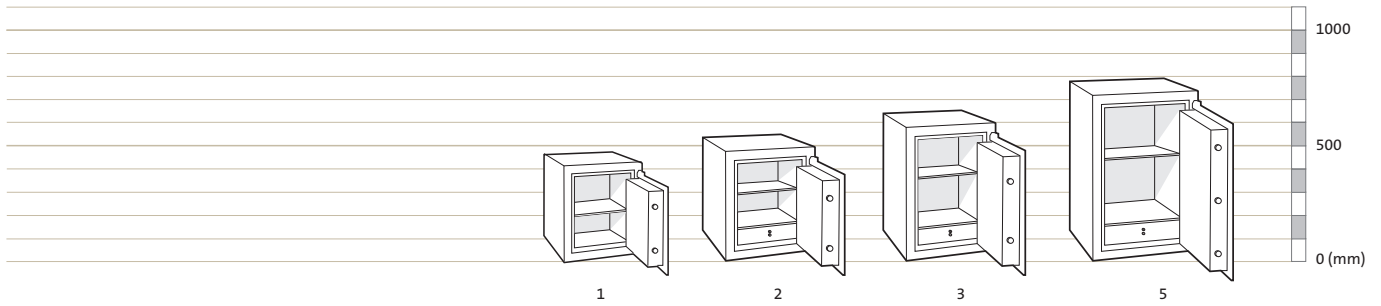


KEY FEATURES

- Combined fire and burglary protection in office environments
- Certified to JIS S 1037:1989 offers up to 45 minutes paper fire protection
- Tested to the highest quality in its class against attack. Approved by Sold Secure to Gold Standard for burglary protection. Sold Secure is an independent testing authority approved by the British Home Office
- Secured by a combination lock as standard
- 10mm solid steel door
- Supplied with glass relocker
- Available in four sizes
- Complete with a standard internal steel shelf adjustable in intervals
- Solid bolt on hinged side of the door

OMNI

PRODUCT SPECIFICATIONS



Model	External Height (mm)	External Width (mm)	External Depth (mm)	Internal Height (mm)	Internal Width (mm)	Internal Depth (mm)	Volume (litres)	Weight (kg)	Standard Internal Fittings
Sz 1	410	360	360	278	230	230	15	120	1 Shelf
Sz 2	488	435	435	356	280	240	33	180	1 Shelf, 1 Drawer
Sz 3	590	435	445	458	305	305	43	210	1 Shelf, 1 Drawer
Sz 5	717	550	550	585	420	420	103	340	1 Shelf, 1 Drawer

* Handle projection is 56mm.

LOCK OPTIONS



COMBINATION LOCK

Listed under UL Group 2, VdS Class 2, CEN B, A2P B. Gain enhanced control via the Sargent & Greenleaf certified three-wheel combination lock.

CERTIFICATION

JIS S 1037:1989

The whole range has been certified JIS S 1037:1989 which offers up to 45 minutes paper fire protection.

GOLD STANDARD FOR BURGLARY PROTECTION

All safe sizes have been approved by Sold Secure to Gold Standard for burglary protection. Sold Secure is an independent testing authority approved by the British Home Office.

DOOR

The door is constructed from 10mm solid steel. The whole assembly is powder-coated for long-lasting protection. The safe is supplied with a glass relocker with solid bolt on hinged side of the door.

Authorised dealer

GUNNEBO MALAYSIA SDN BHD (877658-K)
 Suite 13A.01, Level 13A Menara Summit
 Persiaran Kewajipan USJ 1,
 47600 Subang Jaya, Selangor
 Tel: +603-8024 3050
 Fax: +603-8024 3051
 Website: www.gunnebo.com.my
 Email: info.my@gunnebo.com

www.chubbsafes.com.my